

# Katrin Inclusive Centerfeed M Dispenser - White

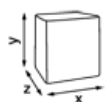
90120

- Lätt att hitta änden på pappret
- Lätt att ladda en ny rulle genom att dra pappret genom en springa
- Säker avrivning
- Material; ABS (Acrylonitrile butadiene styrene), PC (Polycarbonate), POM (Polyoxymethylene)



ISO9001

## Konsumentförpackning



x 263 mm

y 403 mm

z 240 mm

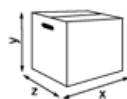


White



1,586 kg

## Transportförpackning



x 266 mm

y 425 mm

z 240 mm



1

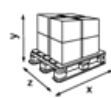


2,015 kg



6414300090120

## Transportpall



x 800 mm

y 1000 mm

z 1200 mm



30

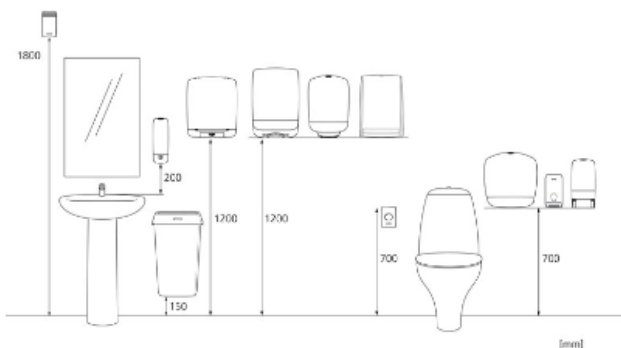


85,6 kg



6414300090137

## Matt och installation



## Relaterade produkter



464414  
**Katrin Classic M 2**  
**Blue laminated**



476512  
**Katrin Basic M**  
**Coreless Low Pallet**



448311  
**Katrin Classic M**  
**Coreless Low Pallet**



475355  
**Katrin Plus M**  
**Coreless Low Pallet**



447505  
**Katrin Plus M**  
**Coreless Low Pallet**



476027  
**Katrin Plus M**



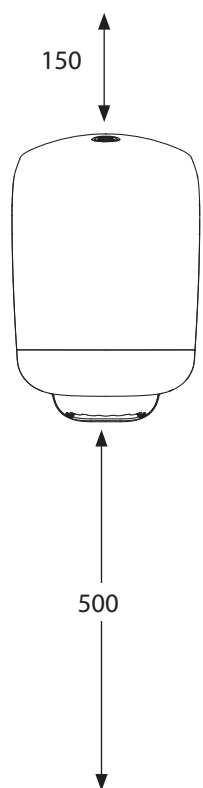
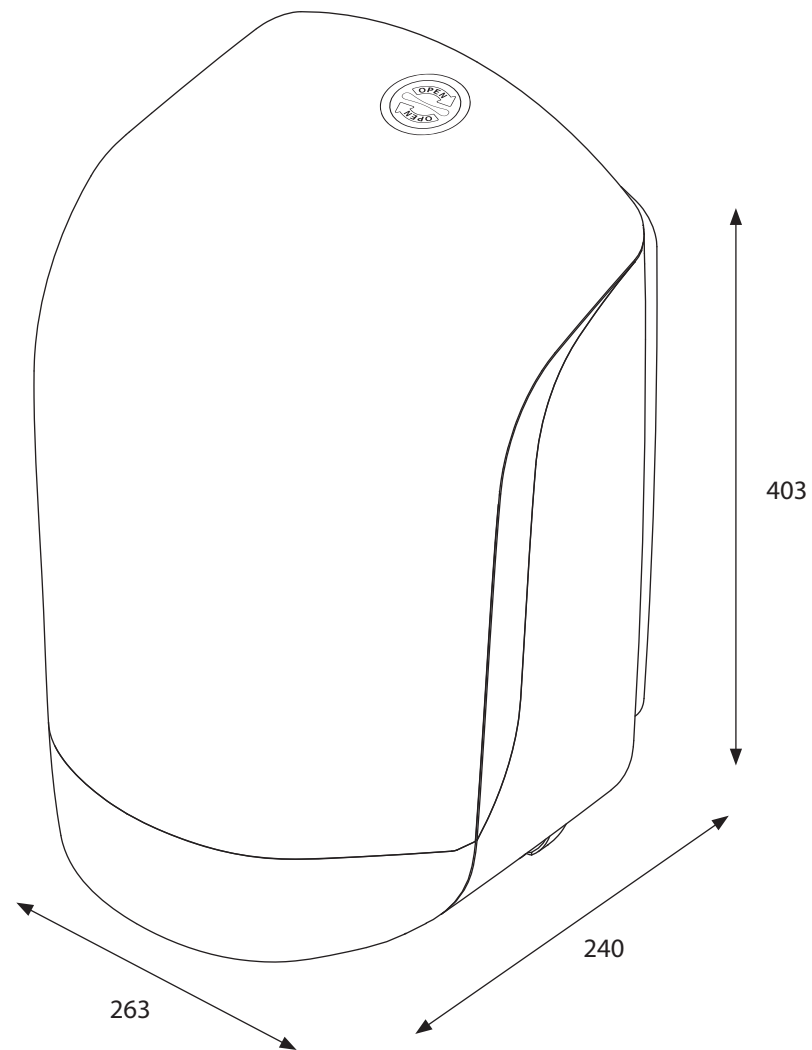
448610  
**Katrin Plus M 2**  
**Coreless Low Pallet**



447627  
**Katrin Plus M 2**

90120/92124

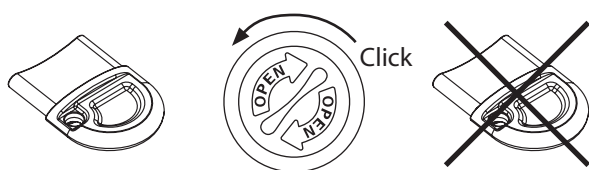
# Katrin Centre Feed M Dispenser



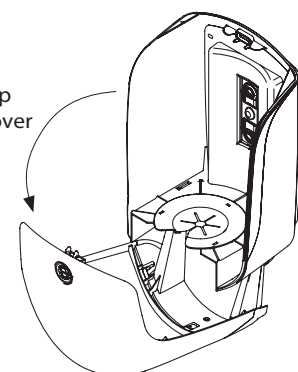
Open with key  
(Position – key needed and turn right)



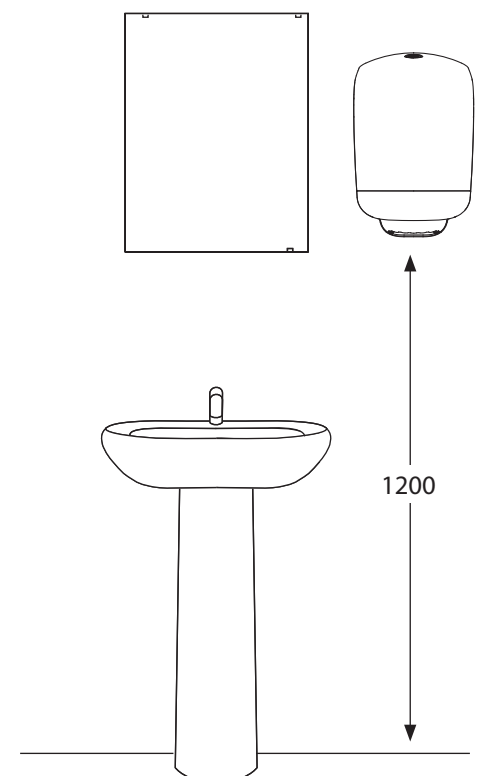
Easy opening  
(Position – turn left with key once,  
then no key needed to open dispenser)



Push on top  
and pull cover  
to open



400



INSTALLATION GUIDE KATRIN CENTERFEED M DISPENSER  
SCALE 1:1

