

# SWINGO LED

«SWINGO 2.0: ergonomic desk lamp.  
Perfect ease of movement. Suitable for any kinds of desks.»

## ECONOMIC

... with lighting adjustable

SWINGO 2.0 is equipped with a very efficient LED lighting. Tactile dimmer switch makes it possible to adjust the 3 lighting intensities that correspond to different activities:

- working
- reading
- relaxing

## DESIGN

Ergonomic double arm

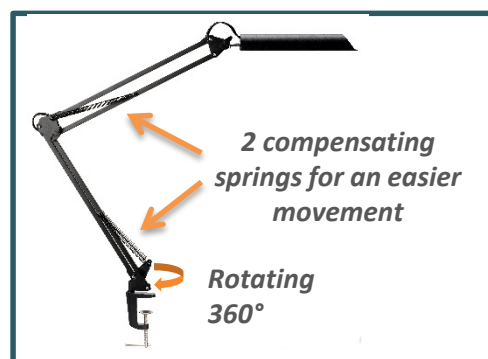
Equipped with spring-balanced arm enabling a great ease of movement and extends the lifetime of the product. Double articulated arm enabling to adjust the lampshade always in parallel to the working surface. Tactile dimmer located on the lampshade for an easy access. Modern shapes.

Available in two colours: black or white.

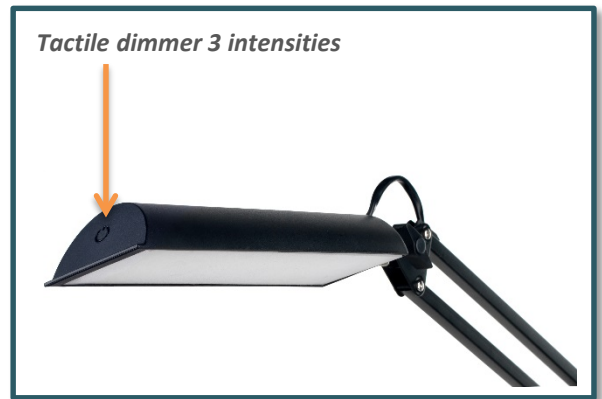
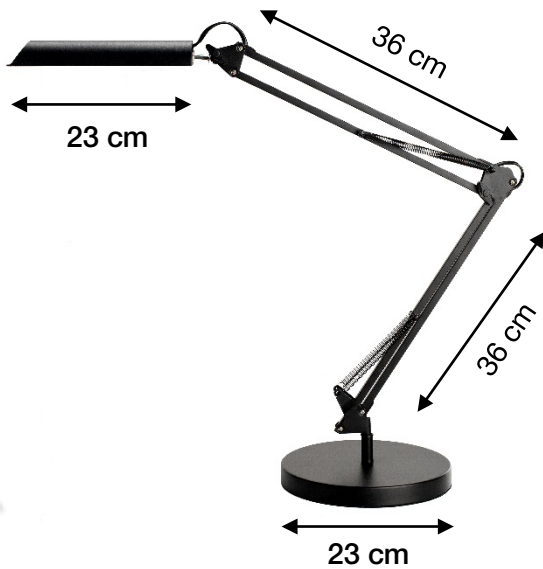
## PRODUCT + POINTS

Different fixing systems available

Swingo 2.0 is supplied with a 2,3 kg base or a clamp (max gap: 55mm). Base + clamp pack available



## DIMENSIONS



## TECHNICAL FEATURES

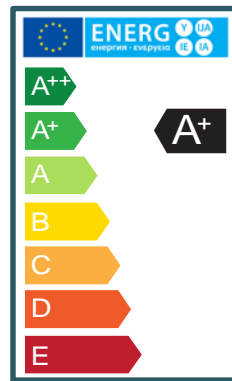
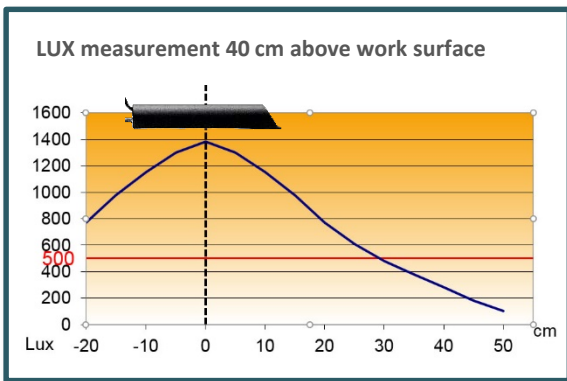
### Materials

ABS

Painted steel

### Source

LED built-in: rated power 9W



SAP no.	Colours	Energy consumption KW/1000 h	Lm	Lm/W	Colour T°	CRI	Source's lifetime*	Warranty	Net weight	EAN code
400093838	Black Clamp+ Base	8	800	100	3000 K	>80	50000h	2 years	3,00 kg	3595560016485
400093839	White Clamp+ Base	8	800	100	3000K	>80	50000h	2 years	3,00 kg	3595560016570

\* Average use: 1000h/year