

Date: Mar. 14, 2022

Product Technical Sheet

Product Description

Product: cape cap

Item No.: 417488

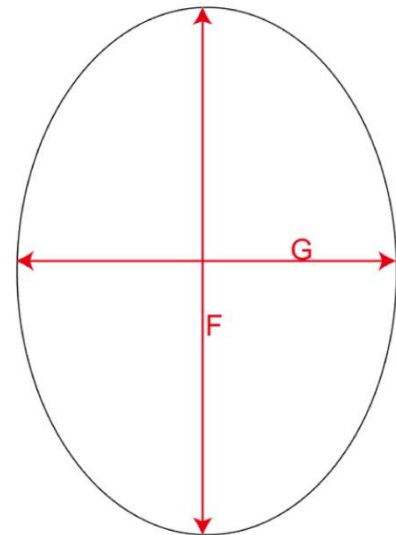
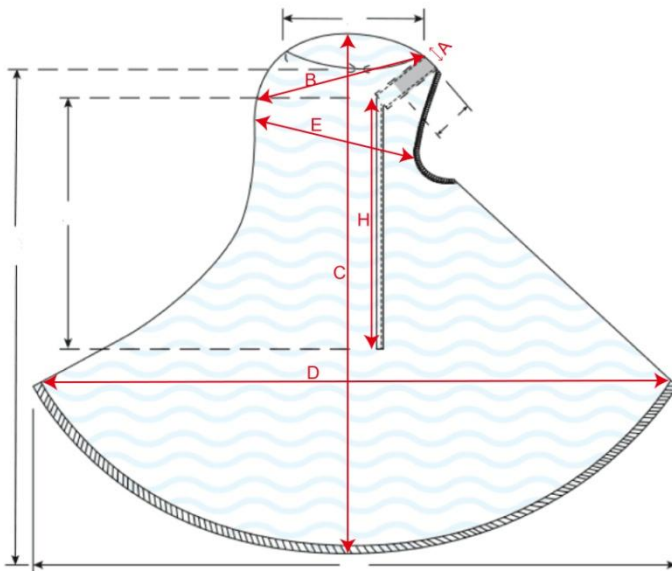
Colour: blue

Material: Foaming impregnated non-woven fabric

Thickness: 26g

Size: Please see below table

A	7	±1
B	32	±2
C	62	±2
D	69	±2
E	23	±2
F	25	±2
G	17	±2



Packing: 50pcs/bag, 500pcs/ctn

Carton measurement. : 58*38*38cm

Suggested Sterilization

ETO: (pre-treatment cycle 16-72 hrs)

(gas contact – 3 hrs/850 mg)

(evaporation 48 hrs at 40°C)



Crown Name(WH) United Co., Ltd.
Rm. 1805 Changhang Building, No. 69 Yanjiang Avenue.,
Wuhan, 430021 China
Tel: 86-27-82280908-8818 Email: sales3@crowname.com

Suggested Storage:

Temperature : between -5°C and 40°C
Humidity : below 80%
Sunlight : not to expose to direct sunlight
Shelf-Life : 5 years

Intended Use: Used for general isolation in outpatient, ward, laboratory and other environments of medical institutions.

Applicable Directive/Regulation:

Device Regulation (EU) 2017/745

Applicable Standards:

ISO 13485:2016
ISO 10993-5:2009
ISO 10993-10:2010

Risk Analysis

The raw material is approved to be safe to human health (refer to the manufacturer's safety data sheet).
As for the product, no hazard is foreseeable to the safety and health of user.

Instruction for Use:

Usage :

1. Take it out from the package (box or polybag), then unfold it
2. Open it and put on the head, adjust position and tie up the bands.

Cautions:

1. This product is for single use. Do not re-use it.
2. This product is for protection of part of body, not for overall protection.
3. This product is for hygienic protection, not for any other personal protection against potential risk.
4. This product is non-sterile. It must be sterilized before being used as sterile wear.